

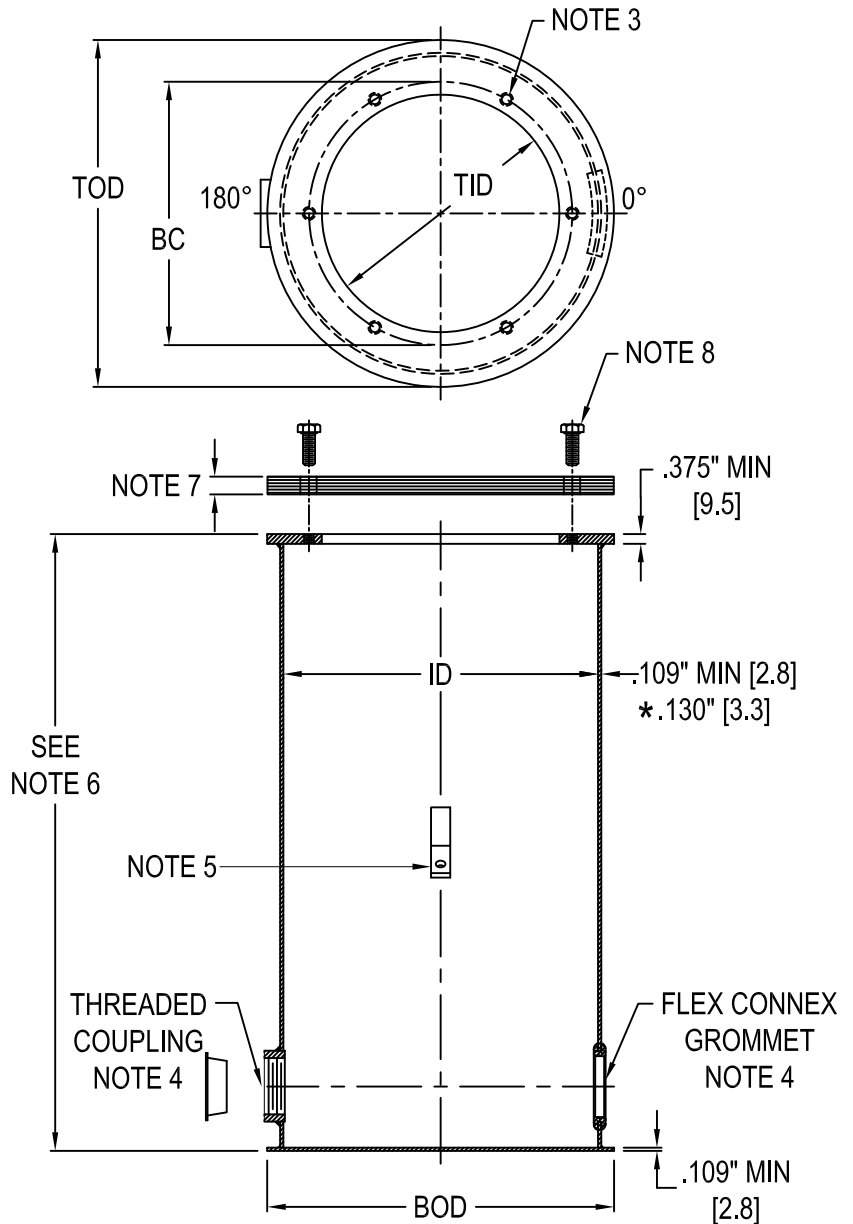
L867 Class 1A Light Base

SYRACUSE, NEW YORK - SALES@JAQUITH.COM (315) 478 - 5700 WWW.JAQUITH.COM



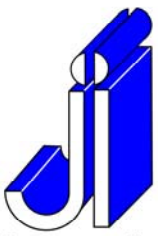
L-867 Class 1A Light Base

1. Approved and Certified to FAA Advisory Circular AC150/5345-42 (Current Revision) L867 class 1A Size: B=12", D=16", E=24"
2. Base galvanized to ASTM-A123 / A123M-02
3. (6) 3/8-16 UNC threaded thru holes equally spaced.
4. Standard Conduit Openings (minimum 2) are:
Located 180° apart and 2.5" up from bottom
Various sizes and locations are available
Protective plug installed in threaded couplings
Flex Connex Grommets are shipped loose.
5. Internal / External Ground Straps are standard.
A copper ground lug (AWS0919) is optional, see page I-08h
6. Standard Height is 24", bases available up to 36".
7. L-867 Plywood Cover 1/2"
8. Plywood Cover attached with (6) 3/8-16 x 1" Stainless Hex Head Cap Screws. Intended to be reused for installation of Base Plate or cover.
9. L867B (12") Bases have a standard $\varnothing \frac{3}{4}$ drain hole with a removable plug.
10. To designate variations to the base, contact sales.

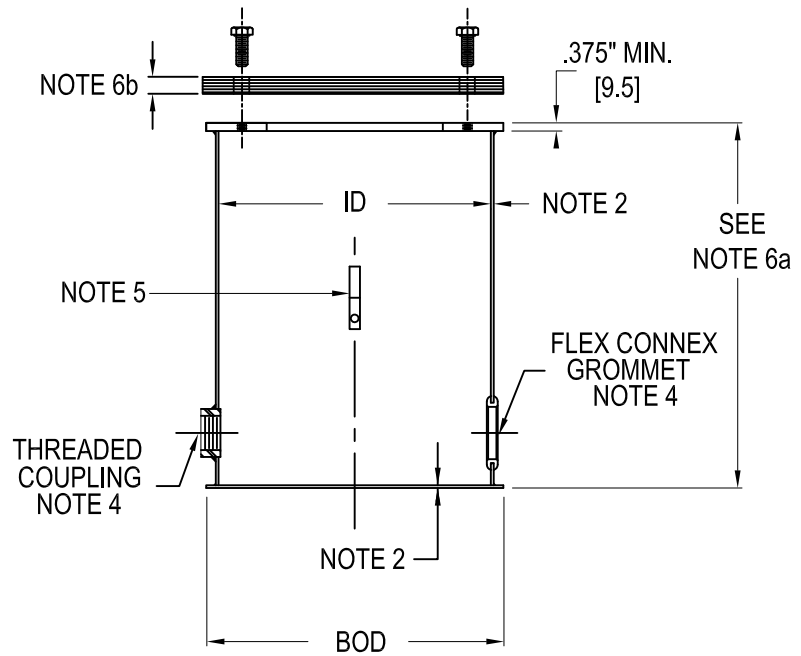
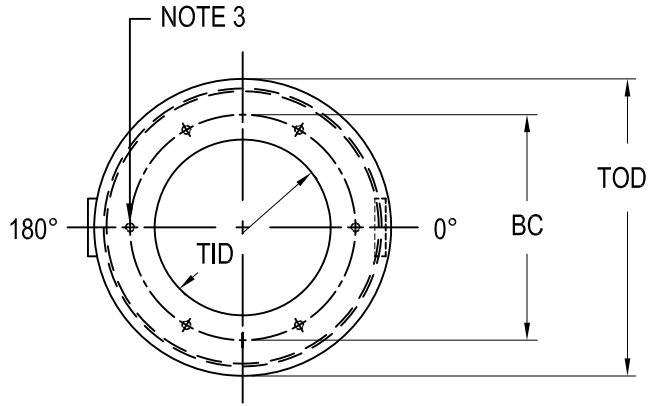


TYPE	TOD / BOD	ID	BC	TID
AC21 -----	13.5"	12.25"	10.25"	9.25"
12" L867B	[342.9]	[311.2]	[260.4]	[235]
AC63 -----	17.375"	16.25"	14.25"	12.375"
16" L867D	[441.3]	[412.8]	[362]	[314.3]
*AC67 -----	24"	22.5"	21.5"	20"
24" L867E	[609.6]	[571.5]	[546.1]	[508]

[] = dimensions in metrics; mm



L-867 Class 1B Light Base



1. Approved and Certified to FAA Advisory Circular AC150/5345-42 (Current Revision) L867 class 1B
Size: B=12", D=16"
- *2. Material to meet 1B requirement
ACS - 12 GA. Min. Thickness 304/18-8 Stainless Steel
ACB - .109" Min. Thickness Class 1A with VEGA™-KOTE** proprietary coating
3. ACS - (6) 3/8"-16 equally spaced, tapped holes GARDSERT™ optional.
ACB - (6) 3/8"-16 equally spaced, Stainless Steel top ring, GARDSERT™ optional.
4. ACS - bases available without any conduit openings (field drilled)
 Conduit Openings are:
 Flex Connex, or Stainless Steel Coupling
 Various sizes and locations are available
 Protective plugs installed in threaded couplings
 Flex Connex Grommets are shipped separately
5. Internal / External Stainless Steel Ground Straps are standard. "ACB" option equipped with uncoated ground straps. A copper ground lug (AWS0919) is optional, see page I-08h

6a. Standard height = 24" [609.6]
 6b. L-867 Plywood Cover 1/2"

7. To designate variations to the base, see ordering worksheet

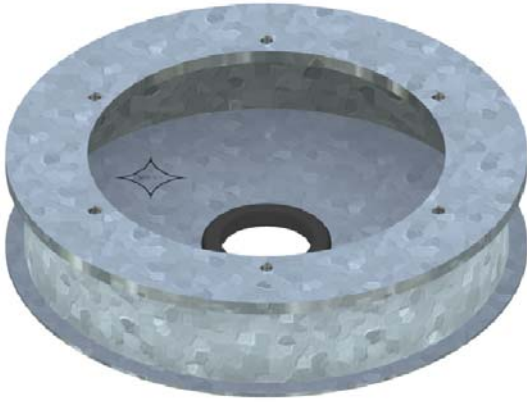
**VEGA-KOTE proprietary coating covers inside of base complete, top flange and a minimum of 4" down from top flange on outside

	TYPE	TOD / BOD	ID	BC	TID
*	L867B <u>ACS21</u> _____	13.5"	12.25"	10.25"	9.25"
	12" <u>ACB21</u> _____VK	[342.9]	[311.2]	[260.4]	[235]
*	L867D <u>ACS63</u> _____	17.375"	16.25"	14.25"	12.375"
	16" <u>ACB63</u> _____VK	[441.3]	[412.8]	[362]	[314.3]
*	L867E <u>ACS67</u> _____	24"	22.5"	21.5"	20"
	24" <u>ACB67</u> _____VK	[609.6]	[571.5]	[546.1]	[508]

[] = dimensions in metrics; mm

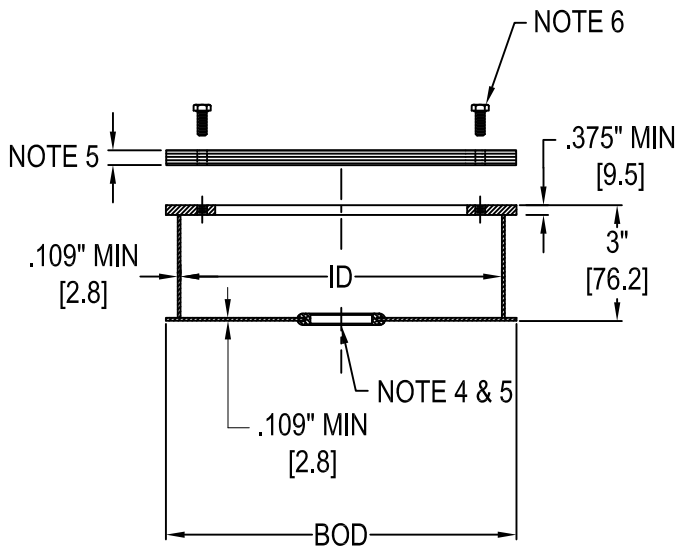
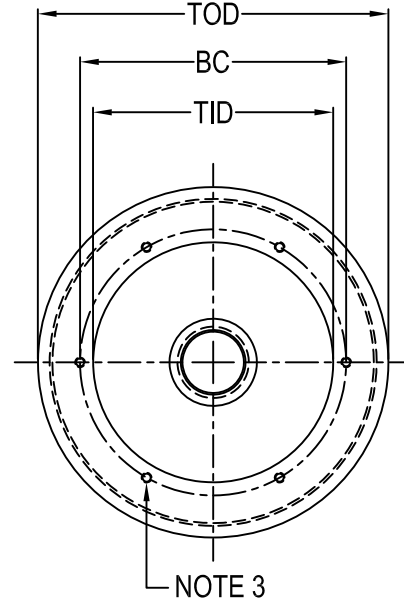
* SEE NOTE 2

L867 Class 1A Sign Base



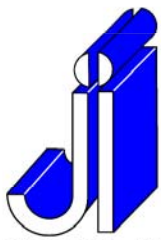
L-867 Class 1A Sign Base

1. Approved and Certified to FAA Advisory Circular AC150/5345-42 (Current Revision) L867 class 1A Size: B=12"
2. Base galvanized to ASTM-A123/A123M-02
3. (6) 3/8-16 UNC threaded thru holes equally spaced.
4. (1) 2" Vega Flex Connex Grommet supplied with unit. Various sizes and locations are available Flex Connex Grommet is shipped loose.
5. For 2-11½ NPS threaded drain coupling instead of 2" grommet, Part number AC2103C available to order.
6. L-867 Plywood Cover 1/2" (AJ08C1308).
7. Plywood Cover attached with (6) 3/8-16 x 1" Stainless Hex Head Cap Screws. Intended to be reused for installation of Base Plate.



TYPE	TOD & BOD	ID	BC	TID
AC2103	13.5"	12.375"	10.25"	9.25"
12" L867B	[342.9]	[314.3]	[260.4]	[235]
AC2103C	13.5"	12.375"	10.25"	9.25"
12" L867B	[342.9]	[314.3]	[260.4]	[235]

[] = dimensions in metrics; mm



JAQUITH
INDUSTRIES INC.

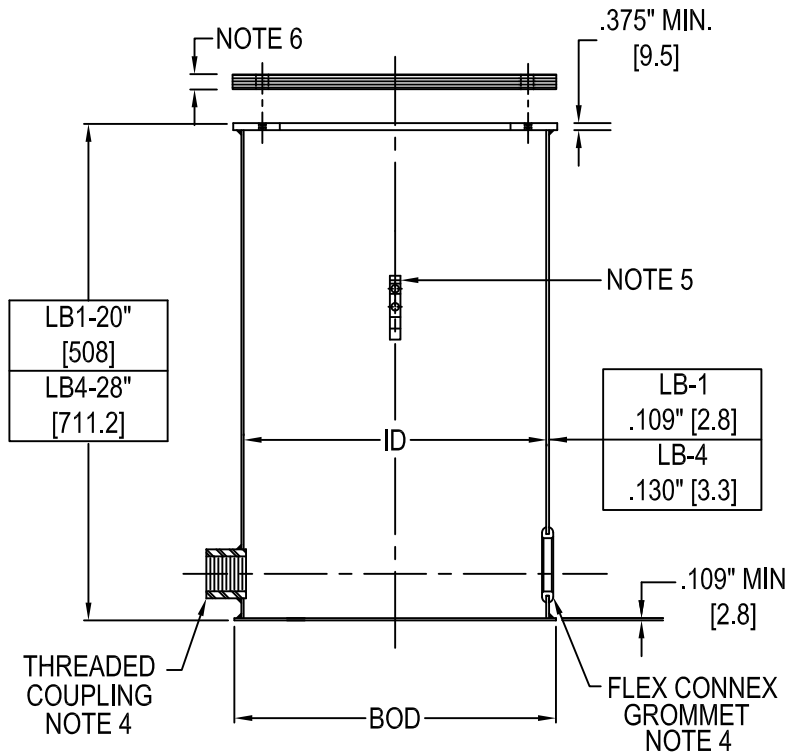
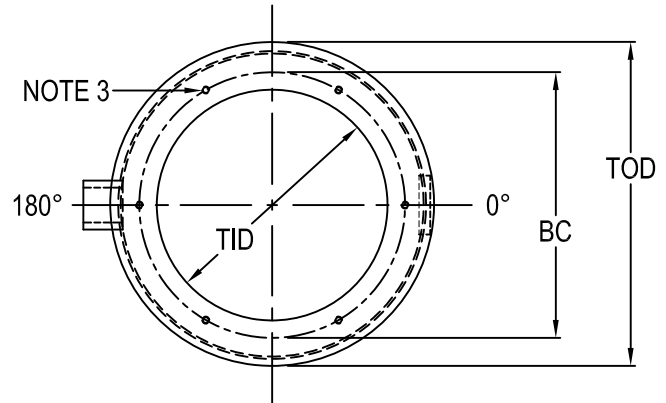


FAA-E-1315a LB-1 & LB-4 Light Base

SYRACUSE, NEW YORK - SALES@JAQUITH.COM (315) 478 - 5700 WWW.JAQUITH.COM



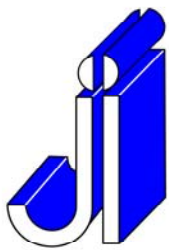
LB-1 Light Base



1. Manufactured in accordance to FAA-E-1315a Specifications
2. Base galvanized to ASTM-A123/A123M-02
3. (6) 3/8"-16 equally spaced, tapped holes are located over conduit openings
4. Conduit Openings are:
Flex Connex, or Stainless Steel Coupling (2" NPT)
Various sizes and locations are available
Protective plugs installed in threaded couplings
Flex Connex Grommets are shipped separately
5. Internal / External Ground Straps are standard.
A copper ground lug (AWS0919) is optional, see page I-08h
6. 1/2" Plywood Cover
7. To designate variations to the base, see ordering worksheet

TYPE	TOD/BOD	ID	BC	TID
AC6120 _____ LB-1	17.375" [441.3]	16.25" [412.8]	14.25" [362]	12.375" [314.3]
AC6128 _____ LB-4				

[] = dimensions in metrics; mm



JAQUITH INDUSTRIES INC.



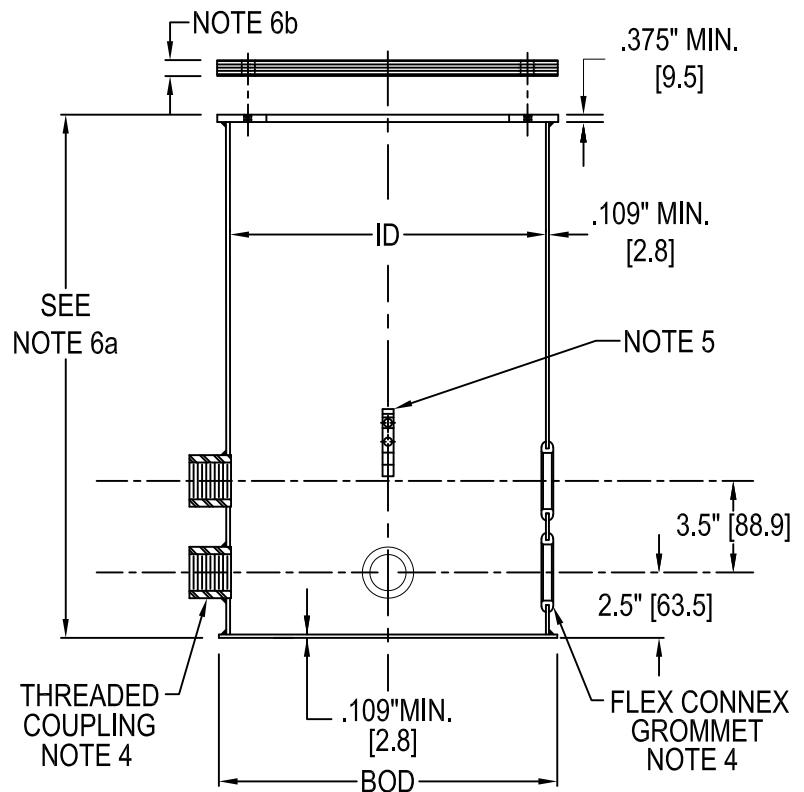
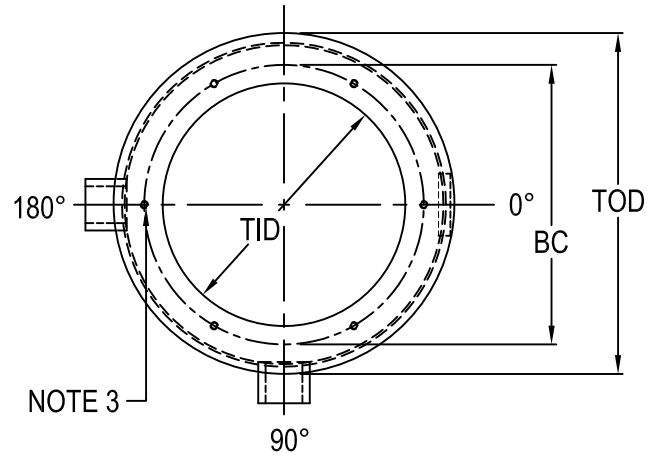
FAA-E-1315a LB-3 Light Base

SYRACUSE, NEW YORK - SALES@JAQUITH.COM (315) 478 - 5700 WWW.JAQUITH.COM



LB-3 Light Base

1. Manufactured in accordance to FAA-E-1315a Specifications
2. Base galvanized to ASTM-A123/A123M-02
3. (6) 3/8"-16 equally spaced, tapped holes
4. (5) Conduit Openings are:
0-0-90-180-180,
Protective plug installed in threaded couplings
Flex Connex Grommets are shipped seperately
5. Internal / External Ground Straps are standard.
A copper ground lug (AWS0919) is optional, see page I-08h
- 6a. Standard height = 20"
- 6b. 1/2" Plywood Cover
7. To designate variations to the base, see ordering worksheet



TYPE	TOD/BOD	ID	BC	TID
AC61 _____	17.375"	16.25"	14.25"	12.375"
LB-3	[441.3]	[412.8]	[362.0]	[314.3]

[] = dimensions in metrics; mm

B-07h (rev 0)

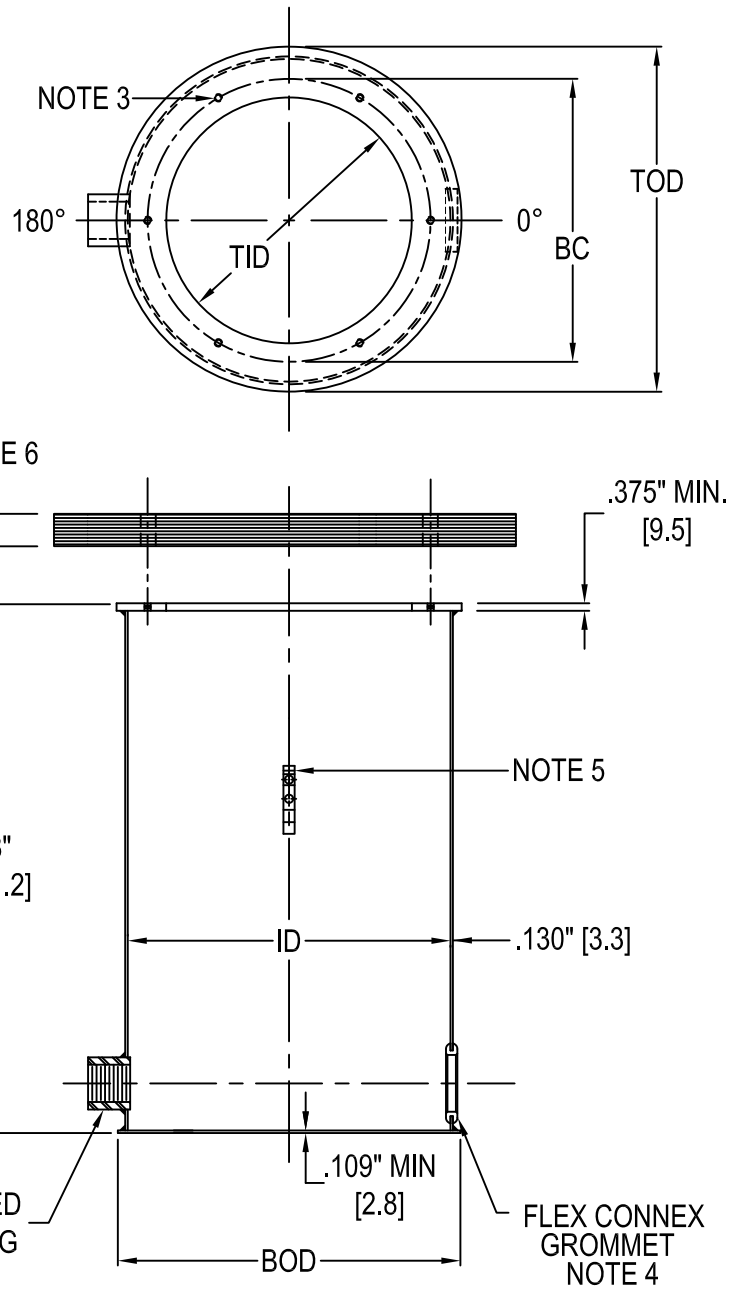
FAA-E-1315a LB-4a Light Base

For FAA-E-2491 Fitting



LB-4a Light Base

1. Manufactured in accordance to FAA-E-1315a Specifications
2. Base galvanized to ASTM-A123/A123M-02
3. (6) 1/2"-13 equally spaced, tapped holes are located over conduit openings
4. Conduit Openings (minimum 2) are:
Located 180° apart, 2.5" up from bottom
Tapped 2" NPT Full Couplings
Protective plug installed in threaded couplings
Flex Connex Grommets are shipped separately
5. Internal / External Ground Straps are standard.
A copper ground lug (AWS0919) is optional, see page I-08h
6. 1 1/4" thick x 22 1/2" Ø Plywood Cover
See data sheet C-14
7. To designate variations to the base, see ordering worksheet



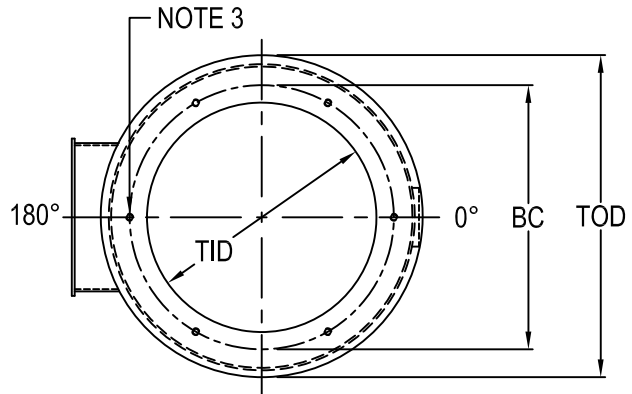
TYPE	TOD/BOD	ID	BC	TID
AC6228	17.375"	16.25"	14.25"	12.375"
LB4A	[441.3]	[412.8]	[362]	[314.3]

[] = dimensions in metrics; mm

B-08h (rev 0)

FAA-E-1315a LB-4

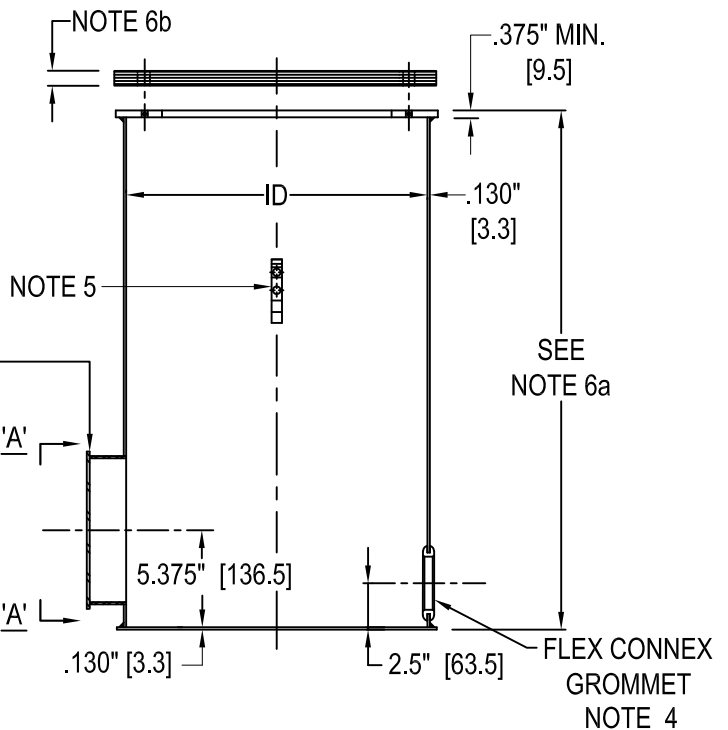
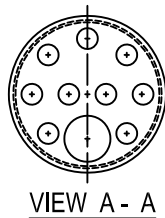
Light Base Modified with 8" Multiple Conduit Sleeve



LB-4 w/ 8" sleeve

1. Manufactured in accordance to FAA-E-1315a Specifications with modifications
2. Base galvanized to ASTM-A123/A123M-02
3. (6) 3/8"-16 equally spaced, tapped openings are located over conduit openings
4. Modified LB-4:
 - (1) 2" Flex Connex,
 - (1) 8" Ø O.D. multi conduit sleeve
 - Consisting of :
 - (9) 1.5" Ø holes
 - (1) 2.5" Ø hole
 - Flex Connex Grommet is shipped separately
5. Internal / External Ground Straps are standard. A copper ground lug (AWS0919) is optional, see page I-08h

MULTI CONDUIT PORT SLEEVE NOTE 4



- 6a. Standard height = 28"
- 6b. 1/2" Plywood Cover

7. To designate variations to the base, see ordering worksheet

TYPE	TOD	ID	BC	TID
AC61_9	17.25"	16.25"	14.25"	12.375"
LB-4 MODIFIED	[438.2]	[412.8]	[362.0]	[314.3]

[] = dimensions in metrics; mm



JAQUITH INDUSTRIES INC.

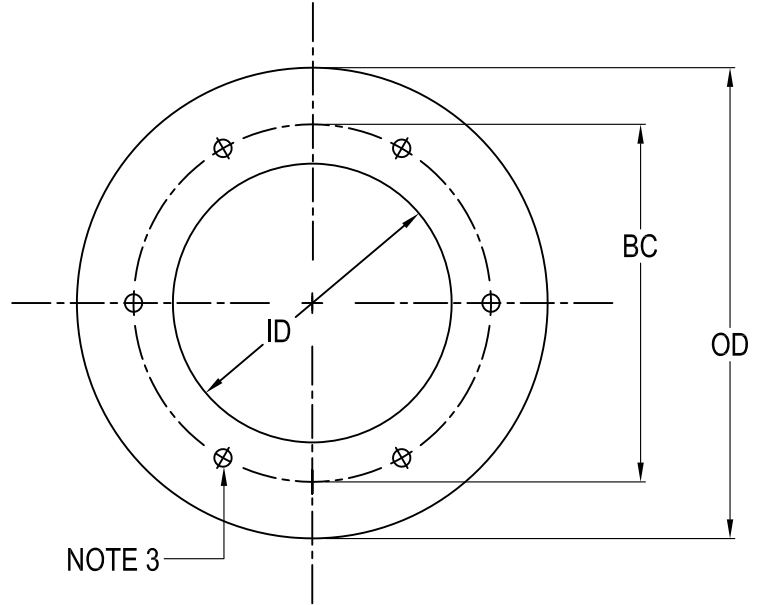


L867 Class 1A Spacer Ring

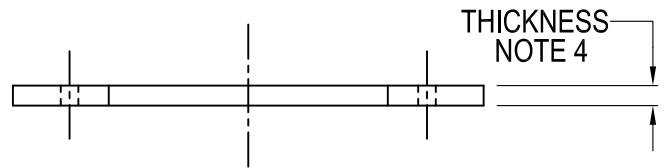
SYRACUSE, NEW YORK - SALES@JAQUITH.COM (315) 478 - 5700 WWW.JAQUITH.COM



L-867 Class 1A Spacer Ring



NOTE 3



1. Approved and Certified to FAA Advisory Circular AC150/5345-42 (Current Revision) L867 class 1A Size: B=12", D=16", E=24"

2. Spacer rings galvanized to ASTM-A123/A123M-02

3. (6)-7/16" Ø equally spaced, thru holes

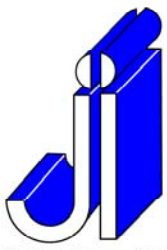
4. Specify ring thickness in 1/16" increments by filling in missing parameters in product number
e.g. A L867B ring .75" thick = AT200612,
for 12/16" thick ring

5. Spacer ring shipped with:
(6) 3/8"-16 x (Ring Thickness + 1/2") Min. Length
Stainless hex head cap screws
(Excluding sizes 1/4" or less)

TYPE	OD	BC	ID
AT2006 __	13.5"	10.25"	9.25"
12" L867B	[342.9]	[260.4]	[235]
AT6003 __	17.375"	14.25"	12.375"
16" L867D	[441.3]	[362]	[314.3]
AT7003 __	24"	21.5"	20"
24" L867E	[609.6]	[546.1]	[508]

[] = dimensions in metrics; mm

B-10h (rev 0)

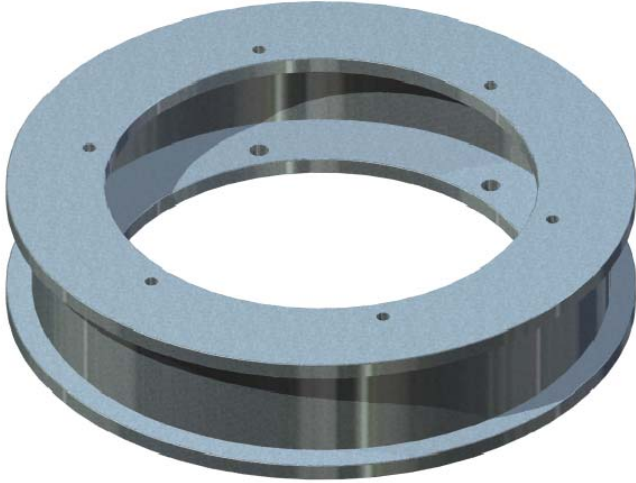


JAQUITH
INDUSTRIES INC.



SYRACUSE, NEW YORK - SALES@JAQUITH.COM (315) 478 - 5700 WWW.JAQUITH.COM

L867 Class 1A Light Base Extension



L-867 Class 1A Light Base Extension

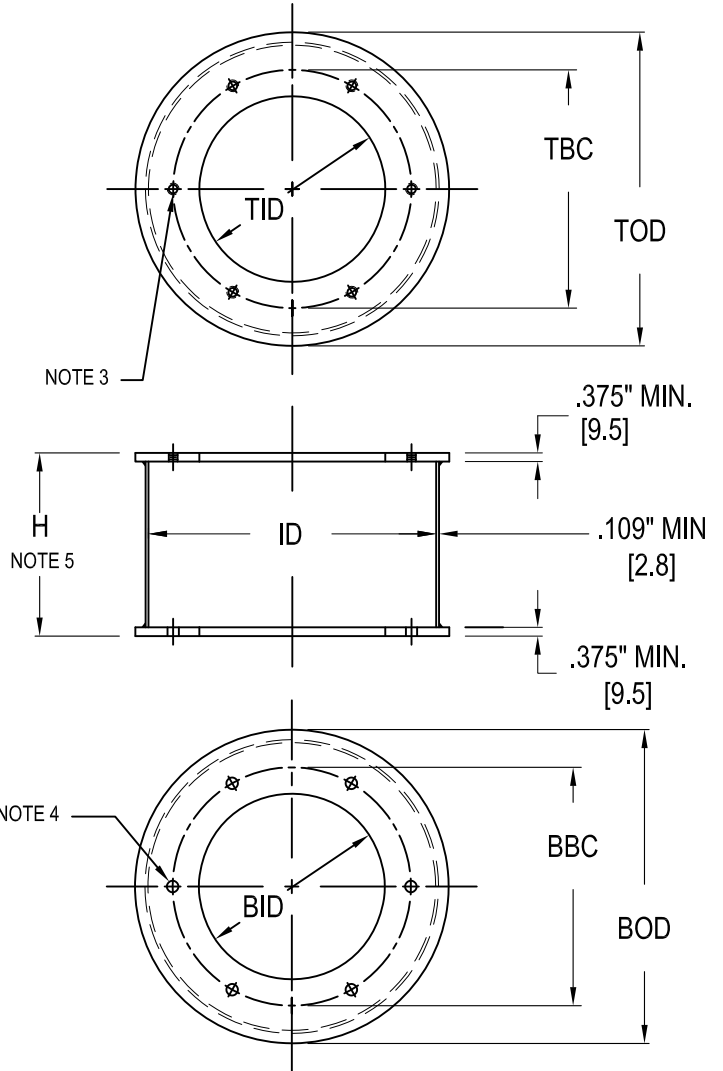
1. Approved and Certified to FAA Advisory Circular AC150/5345-42 (Current Revision) L867 class 1A Size: B=12", D=16", E=24"
2. Extensions galvanized to ASTM-A123/A123M-02
3. (6) 3/8"-16 equally spaced, tapped holes
4. (6) 7/16" Ø equally spaced, thru holes aligned with holes in top ring
5. H = height required, 1.75" minimum

Part no. Example: An extension $3\frac{5}{16}$ " high, is a

AE2 03 05

Inches

Sixteenths of an inch

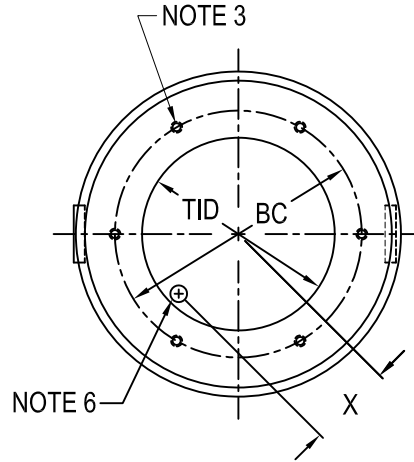
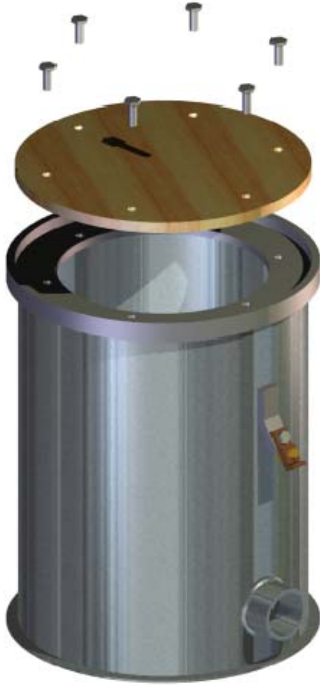


TYPE	PART NO.	TOD & BOD	ID	TBC & BBC	TID & BID
AT2007 12" L867B	AE2 _ _ _ _	13.5"	12.25"	10.25"	9.25"
		[342.9]	[311.2]	[260.4]	[235]
AT6004 16" L867D	AE6 _ _ _ _	17.375"	16.25"	14.25"	12.375"
		[441.3]	[412.8]	[362]	[314.3]
AT7004 24" L867E	AE7 _ _ _ _	24"	22.5"	21.5"	20"
		[609.6]	[571.5]	[546.1]	[508]

[] = dimensions in metrics; mm

B-11h (rev 0)

L867 Class 1A Light Base PORT AUTHORITY N.Y. & N.J.



L-867 Class 1A Port Authority Light Base

1. Approved and Certified to FAA Advisory Circular AC 150/5345-42 (Current Revision) with modifications for Port Authority - N.Y. & N.J.
Size: B=12", D=16"

2. Base galvanized to ASTM-A123/A123M-02

3. (6) 3/8"-16 equally spaced, tapped holes are located over conduit openings

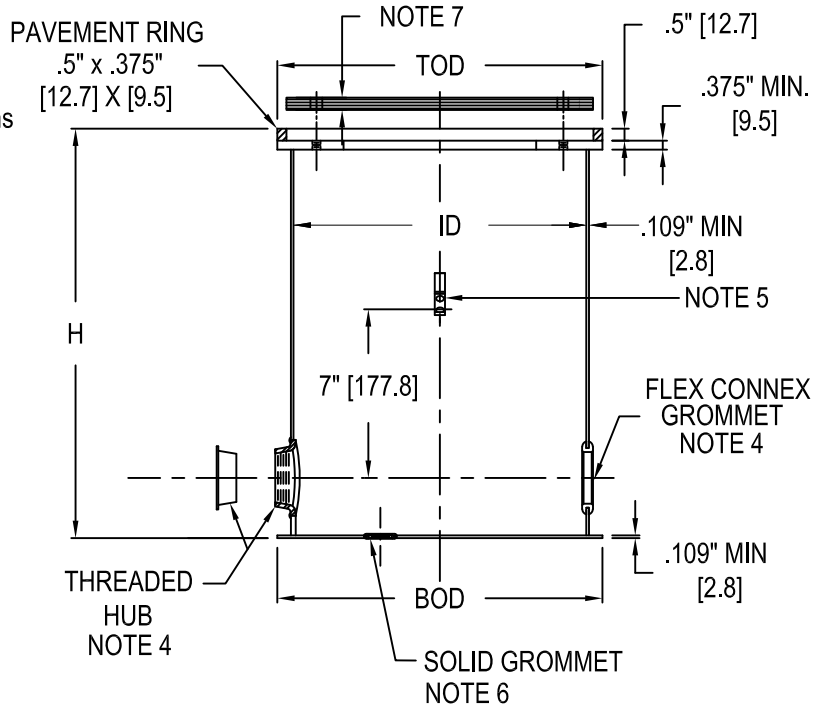
4. Conduit Openings (minimum 2) are:
Located 180° apart and 2.5" up from bottom
Various sizes and locations are available
Protective plug installed in threaded hubs
Flex Connex Grommets are shipped separately

5. Internal / External Ground Straps are standard.
A copper ground lug (AWS0919) is optional, see page I-08h

6. (1) 1.375" Ø drain hole offset 3 1/2"
Solid Flex Connex is supplied with base

7. 1/2" Thick L-867 Plywood Cover

8. To designate variations to the base, see ordering worksheet



TYPE	TOD & BOD	ID	TID	BC	H	X
AC2117 _____	13.5"	12.25"	9.25"	10.25"	17"	3.5"
12" L867B	[342.9]	[311.2]	[235]	[260.4]	[431.8]	[88.9]
AC6320 _____	17.375"	16.25"	12.375"	14.25"	20"	5"
16" L867D	[441.3]	[412.8]	[314.3]	[362]	[508]	[127]

[] = dimensions in metrics; mm

L-867 Class 1A Spacer Ring Port Authority N.Y. & N.J.

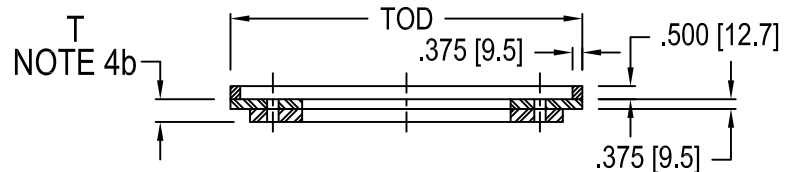
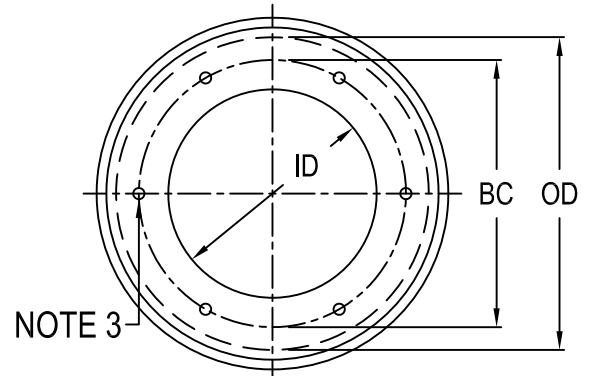
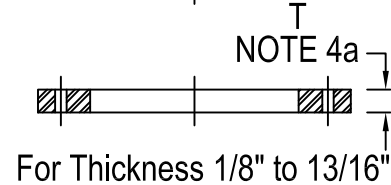
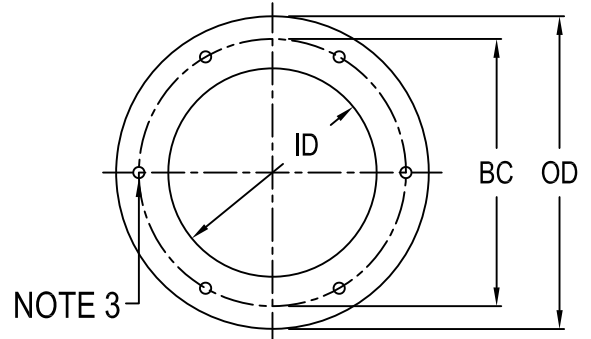


L-867 Spacer Ring 1/8" to 13/16"



L-867 Spacer Ring 7/8" to 1 11/16"

- Approved and Certified to FAA Advisory Circular AC150/5345-42 (Current Revision) L867 class 1A Modified for Port Authority NY & NJ Standard Size: B=12", D=16"
- Spacer ring galvanized to ASTM-A123/A123M-02
- (6) 7/16" \varnothing equally spaced, thru holes
- Spacer under 1 3/4"
T = extension height in 1/16" increments,
a) 1/8" min. to 13/16" maximum
b) 7/8" min. to 1 11/16" maximum
- Spacer ring shipped with:
(6) 3/8"-16 x (Ring Thickness + 1/2")Min. Length
Stainless hex head cap screws



For Thickness 7/8" to 1 11/16"

TYPE	OD	BC	ID	TOD
AT2008 _ _	12"	10.25"	9.25"	13.5"
12" L867B	[304.8]	[260.4]	[235]	[342.9]
AT6005 _ _	16"	14.25"	12.375"	17.375"
16" L867D	[406.4]	[362]	[314.3]	[441.3]

[] = dimensions in metrics; mm

L-867 Class 1A Extension w/ Pavement Ring Port Authority N.Y. & N.J.



L-867 Extension w/ Pavement Ring

1. Approved and Certified to FAA Advisory Circular AC150/5345-42 (Current Revision) with modifications for Port Authority - N.Y. & N.J. standards
Size: B=12", D=16"

2. Extensions galvanized to ASTM-A123/A123M-02

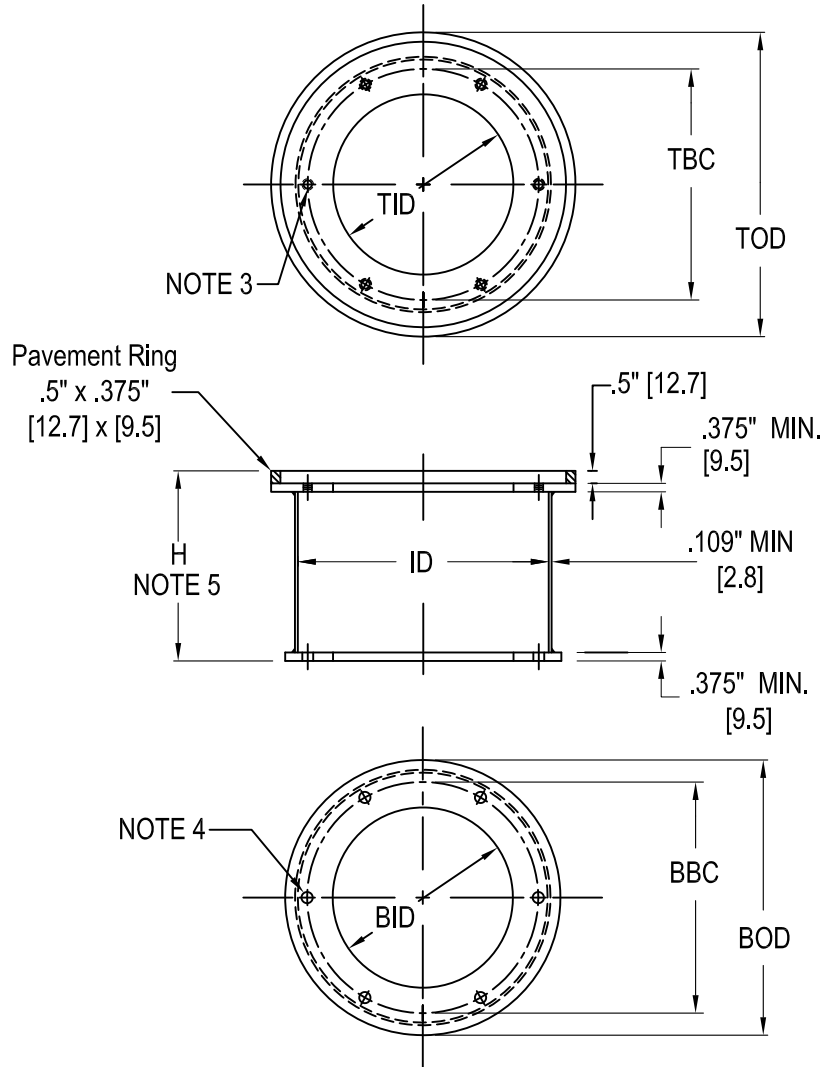
3. (6) 3/8"-16 equally spaced, tapped holes

4. (6) 7/16" Ø equally spaced, thru holes aligned with holes in top ring

5. H = height required, 2.25" minimum
Height includes pavement ring

Part no. Example: An extension 2³/₄" high, is a AT2009 02 12

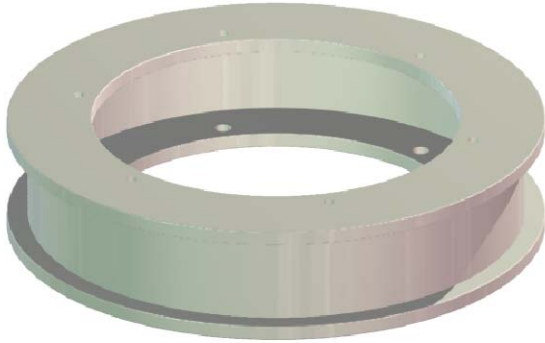
Inches | Sixteenths of an inch



TYPE	ID	TOD	BOD	TBC & BBC	TID & BID
AT2009 _ _ _ _	11.5"	13.5"	12	10.25"	9.25"
12" L867B	[292.1]	[342.9]	[304.8]	[260.4]	[235]
AT6006 _ _ _ _	15.375"	17.375"	16	14.25"	12.375"
16" L867D	[390.5]	[441.3]	[406.4]	[362]	[314.3]

[] = dimensions in metrics; mm

L-867 Class 1B Light Base Extension



L-867 Class 1B Light Base Extension
(ATB pictured above)

1. Approved and Certified to FAA Advisory Circular AC150/5345-42 (Current Revision) L867 class 1B
Size: B=12", D=16"

- * 2. Material to meet 1B requirement
 ATS - 12 GA. Min. Thickness 304/18-8 Stainless Steel
 ATB - suffix - .109" Min. Min Thickness Class 1A with VEGA™-KOTE proprietary coating

3. ATS - (6) 3/8"-16 equally spaced, tapped holes

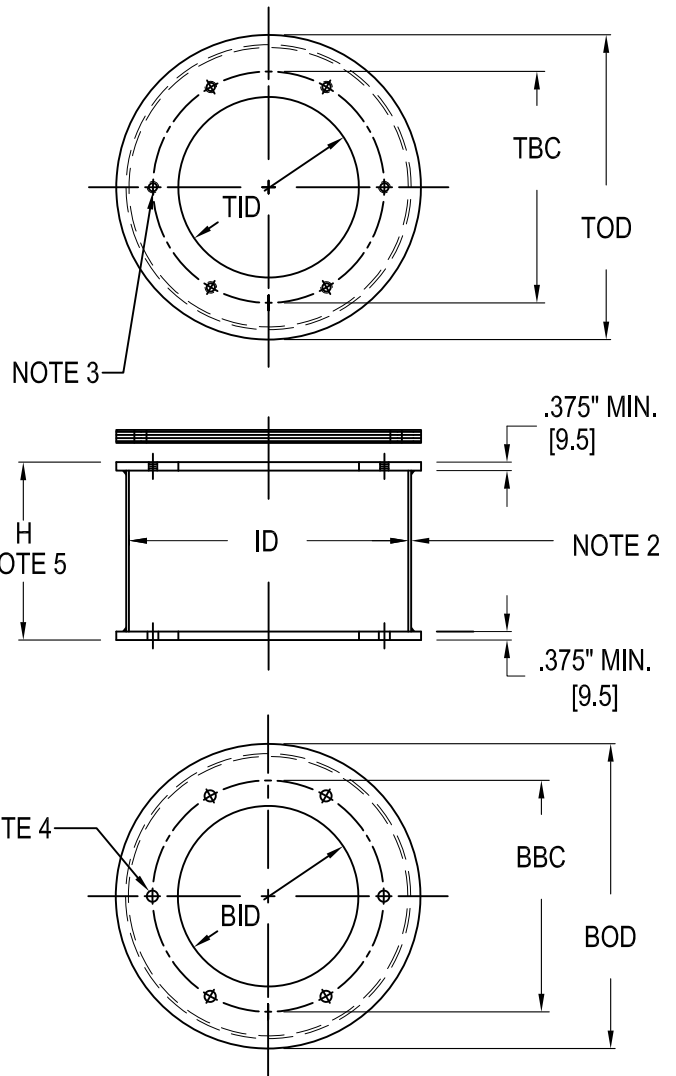
ATB - (6) 3/8"-16 equally spaced, SS Top Ring.

4. (6) 7/16" Ø equally spaced, thru holes aligned with holes in top ring

5. H = height required, 1.75" minimum
 For height under 1.75" use spacer ring as per p. B-10

Part no. Example: A Stainless Steel extension $3\frac{5}{16}$ " high, is a AES2 03 05

Inches | Sixteenths of an inch

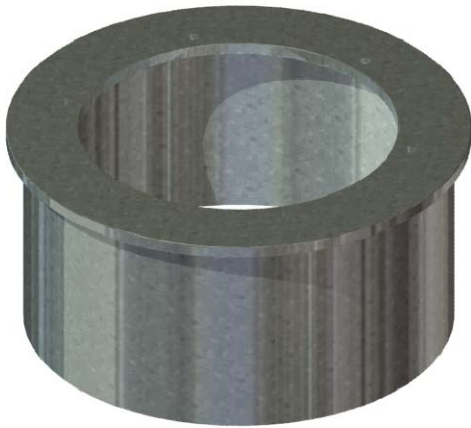


	TYPE	PART NO.	TOD & BOD	ID	TBC & BBC	TID & BID
*	ATS2007	AES2_ _ _ _	13.5"	12.25"	10.25"	9.25"
	ATB2007VK 12" L867B	AEB2_ _ _ _ VK	[342.9]	[311.2]	[260.4]	[235]
*	ATS6004	AES6_ _ _ _	17.375"	16.25"	14.25"	12.375"
	ATB6004VK 16" L867D	AEB6_ _ _ _ VK	[441.3]	[412.8]	[362]	[314.3]

[] = dimensions in metrics; mm

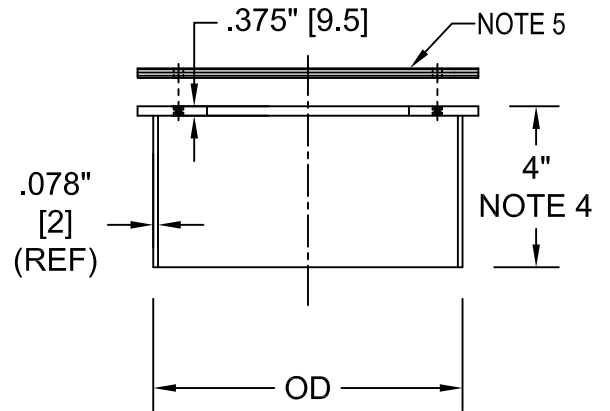
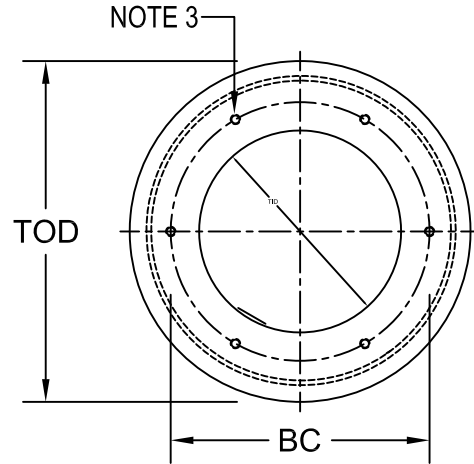
* SEE NOTE 2

L-867 Class 1A Temporary Top Section



L-867 Class 1A Temporary Top Section

1. Approved and Certified to FAA Advisory Circular AC150/5345-42 (Current Revision) L867 class 1A Size: B=12", D=16", E=24"
2. Temporary tops are NOT galvanized
3. (6) 3/8"-16 equally spaced tapped holes
4. Temporary Top ATT2404 Height = 4"
Temporary Tops are NOT shipped with tinnerman nuts, thumb screws, or thumb-screw brackets
5. Shipped with 1/2" Plywood Cover
6. Mudplate Optional



TYPE	OD	TOD	TID	BC
ATT2404	12.25"	13.5"	9.25"	10.25"
12" L867B	[311.2]	[342.9]	[235]	[260.4]
ATT6404	16.125"	17.375"	12.375"	14.25"
16" L867D	[409.6]	[441.3]	[314.3]	[362]
ATT6704	22.375"	24"	20"	21.5"
24" L867E	[568.3]	[609.6]	[508]	[546.1]

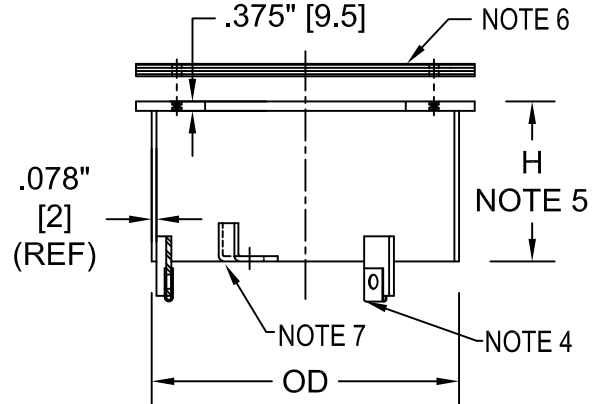
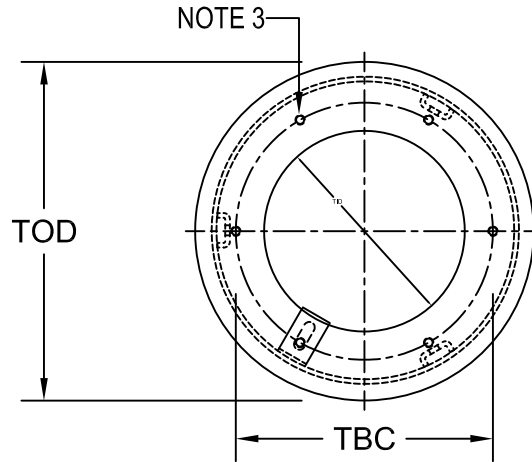
[] = dimensions in metrics; mm

L-867 Class 1A Adjustable Light Base Upper Section



Adjustable Light Base

1. Approved and Certified to FAA Advisory Circular AC150/5345-42 (Current Revision) L867 class 1A Size: B=12", D=16", E=24"
2. Adjustable Tops are galvanized to ASTM-A123/A123M-02
3. (6) 3/8"-16 equally spaced tapped holes
4. Adjustable Tops are shipped with:
(3) 5/16" tinnerman nuts (30680439)
(3) 5/16"-18 x 1" Thumb Screws (30660438)
5. H = height required
Standard Height = 6 3/8" & 10 3/8"
6. Supplied with 1/2" Plywood Cover
Mudplate Optional
7. Hold down bracket can be used as an internal ground

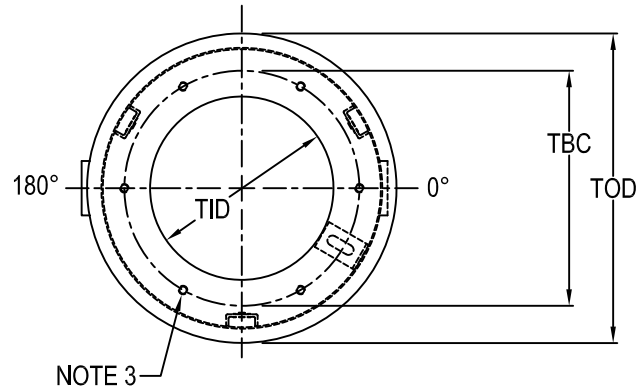


TYPE	OD	TOD	TID	TBC
AT24_ _ 12" L867B	12.25"	13.5"	9.25"	10.25"
	[311.2]	[342.9]	[236.2]	[260.4]
AT64_ _ 16" L867D	16.063"	17.375"	12.375"	14.25"
	[408]	[441.3]	[314.3]	[362]
AT67_ _ 24" L867E Modified	22.375"	24"	20"	21.5"
	[568.3]	[609.6]	[508]	[546.1]

[] = dimensions in metrics; mm

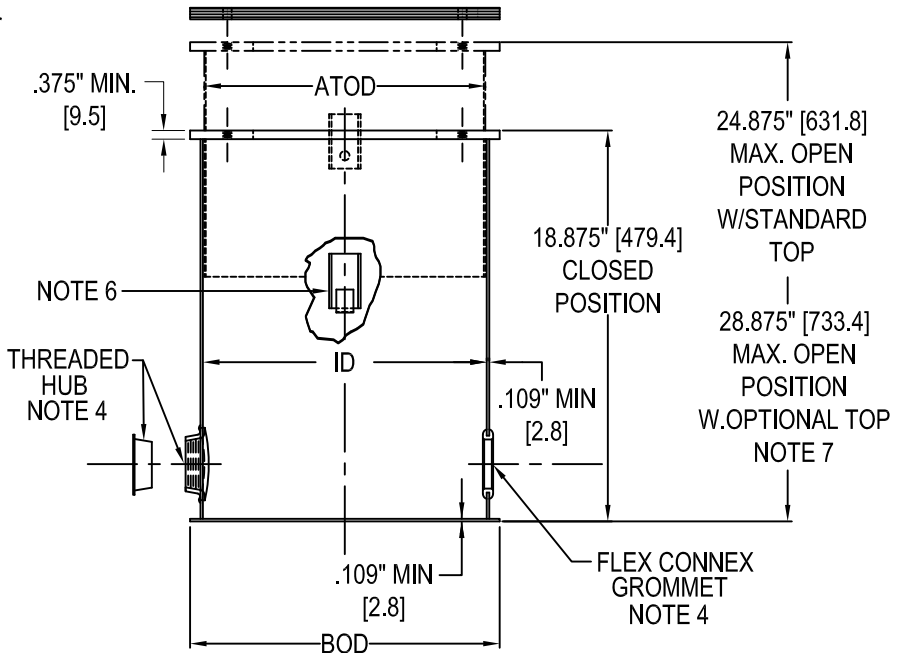
ADJUSTABLE LIGHT BASE

L-867 Class 1A



AC20242H2002E1PCC

- Approved and Certified to FAA Advisory Circular AC150/5345-42 (Current Revision) L867 class 1 Size: B=12", D=16", E=24"
- Base galvanized to ASTM-A123/A123M-02
- (6) 3/8"-16 equally spaced, tapped holes
- Conduit Openings (minimum 2) are:
Located 180° apart and 2.5" up from bottom
Various sizes and locations are available
Protective plug installed in threaded hubs
Flex Connex Grommets are shipped separately
- External Ground Straps are standard:
for Internal ground use hold down bracket
- (3) 5/16" Tinnerman Nuts attached to brackets are used to set elevation of top portion
- Detail has a standard 6 3/8" high adjustable top, also available with a 10 3/8" high adjustable top.

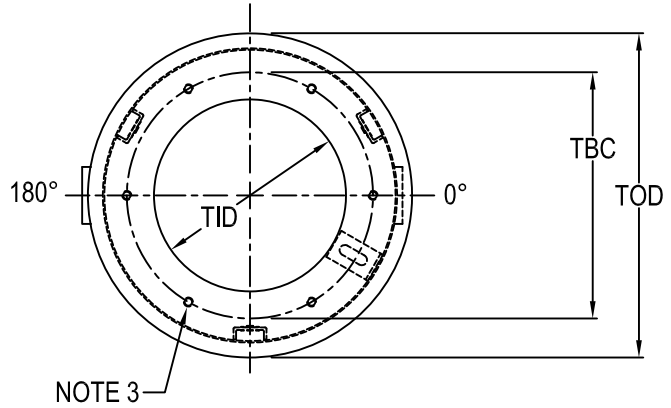


TYPE	ID	TBC	TID	TOD & BOD	ATOD
AC2024 _____PCC 12" L867B	12.375" [314.3]	10.25" [260.4]	9.25" [234.9]	13.5" [342.9]	12.25" [311.2]
AC6024 _____PCC 16" L867D	16.25" [412.8]	14.25" [362]	12.375" [314.3]	17.375" [441.3]	16.125" [409.6]
AC6034 _____PCC 24" L867E	22.5" [571.5]	21.5" [546.1]	20" [508]	24" [609.6]	22.375" [568.3]

[] = dimensions in metrics; mm

ADJUSTABLE LIGHT BASE

L-867 Class 1B



ACS20242H2002E1PCC

1. Approved and Certified to FAA Advisory Circular AC150/5345-42 (Current Revision) L867 class 1B
Size: B=12", D=16"

2. Material to meet 1B requirement
ACS - 12 GA. Min. Thickness 304/18-8 Stainless Steel
ACB - .109" Min. Thickness Class 1A with VEGA™-KOTE proprietary coating

3. ACS - (6) 3/8"-16 equally spaced, tapped holes GARDSERT™ optional.
ACB - (6) 3/8"-16 equally spaced, Stainless Steel top ring standard, GARDSERT™ optional.

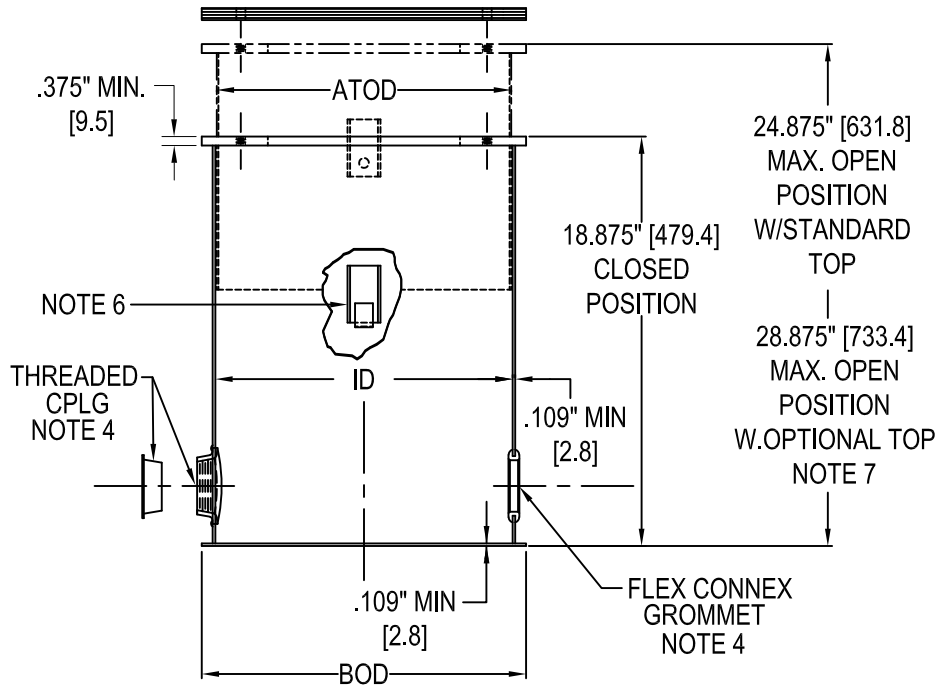
4. ACS - bases available without any conduit openings (field drilled)

Conduit Openings are:
Located 180° apart and 2.5" up from bottom
Various sizes and locations are available
Protective plugs installed in threaded couplings
Flex Connex Grommets are shipped separately

5. Internal / External Stainless Steel Ground Straps are standard
"ACB" option equipped with uncoated ground straps
A Copper Gground Lug AWS0919 is optional

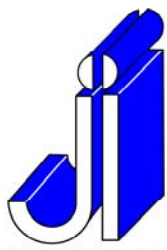
6. (3) 5/16" Tinnerman Nuts attached to brackets are used to set elevation of top portion

7. Detail has a standard 6 3/8" high adjustable top, also available with a 10 3/8" high adjustable top. To designate variations to the base, see ordering worksheet



	TYPE	ID	TBC	TID	TOD & BOD	ATOD
L867B 12"	ACS2024_____PCC	12.375"	10.25"	9.25"	13.5"	12.25"
	ACB2024_____VKPCC	[314.3]	[260.4]	[234.9]	[342.9]	[311.2]
L867D 16"	ACS6024_____PCC	16.25"	14.25"	12.375"	17.375"	16.125"
	ACB6024_____VKPCC	[412.8]	[362]	[314.3]	[441.3]	[409.6]
L867E 24"	ACS6034_____PCC	22.5"	21.5"	20"	24"	22.375"
	ACB6034_____VKPCC	[571.5]	[546.1]	[508]	[609.6]	[568.3]

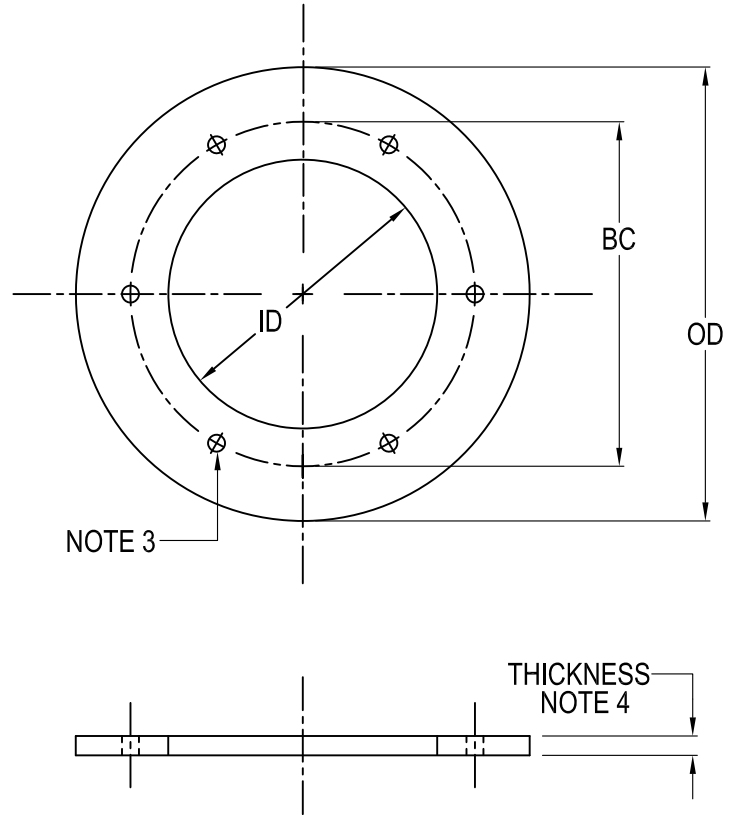
[] = dimensions in metrics; mm



L-867 Class 1B Spacer Ring



L-867 Class 1B Spacer Ring



1. Approved and Certified to FAA Advisory Circular AC150/5345-42 (Current Revision) L867 class 1B Size: B=12", D=16", E=24"

2. Material to meet 1B requirement
 AT_S - $\frac{1}{8}$ " Min. Thickness 304/18-8 Stainless Steel
 AT_B - $\frac{1}{8}$ " Min. Thickness Class 1A with VEGA™-KOTE proprietary coating

3. (6)-7/16" Ø equally spaced, thru holes

4. Specify ring thickness in $\frac{1}{16}$ " increments by filling in missing parameters in product number
 e.g. A L867B ring .75" thick = AT_S200612, for $\frac{12}{16}$ thick ring

5. Spacer ring shipped with:
 (6) 3/8"-16 x (Ring Thickness + 1/2")
 Min. Length Stainless hex head cap screws

TYPE	PART NO.	OD	BC	ID
L867B 12"	ATS2006__	13.5"	10.25"	9.25"
	ATB2006__VK	[342.9]	[260.4]	[235]
L867D 16"	ATS6003__	17.375"	14.25"	12.375"
	ATB6003__VK	[441.3]	[362]	[314.3]
L867E 24"	ATS7003__	24"	21.5"	20"
	ATB7003__VK	[609.6]	[546.1]	[508]

[] = dimensions in metrics; mm